

GP4000M Series Panel Cutout Adapter

GP270-GP4000M-AT00, GP377-GP4000M-AT00

GP37W2-GP4000M-AT00



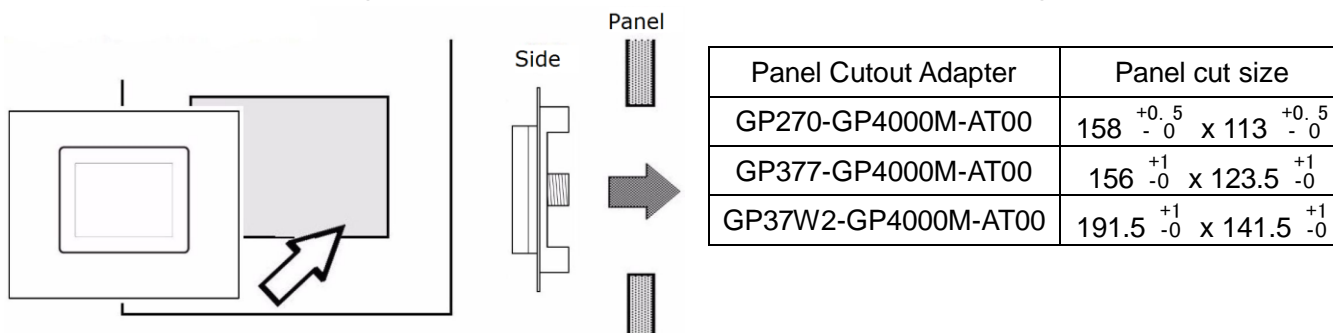
SCIGATE AUTOMATION (S) PTE LTD
 No.1 Bukit Batok Street 22 #01-01 Singapore 659592
 Tel: (65) 6561 0488 Fax: (65) 6562 0588
 Email: sales@scigate.com.sg Web: www.scigate.com.sg
 Business Hours: Monday - Friday 8.30am - 6.15pm

NOTE:

Fasteners are not included in the Panel Cutout Adapter.
 Use the fasteners with which the GP unit was mounted.

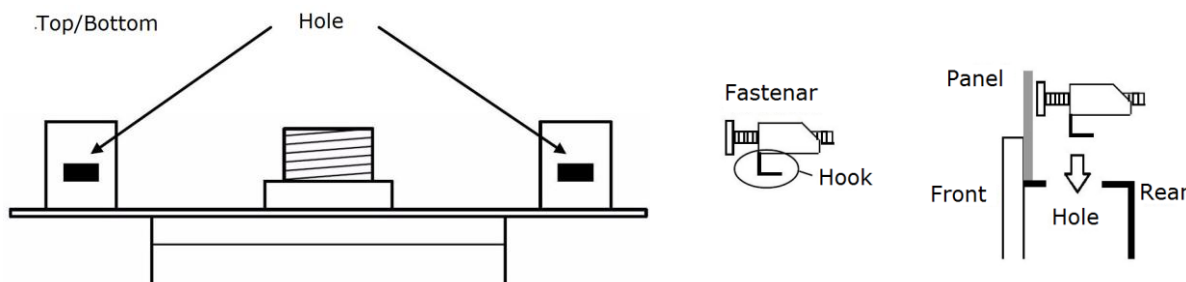
Installation Requirements

Mount the Panel Cutout Adapter in the installation hole from the front side of the panel.

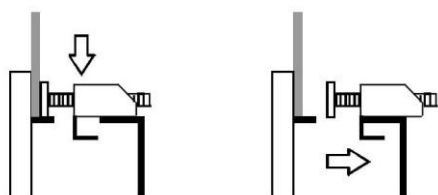


Fix the back side of the panel with the fasteners.

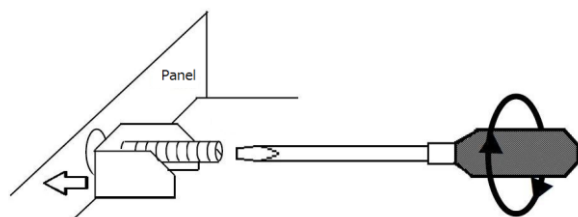
- Put the fasteners in the holes at four places on the top and bottom sides of the Panel Cutout Adapter.



- Slide the fastener backward.

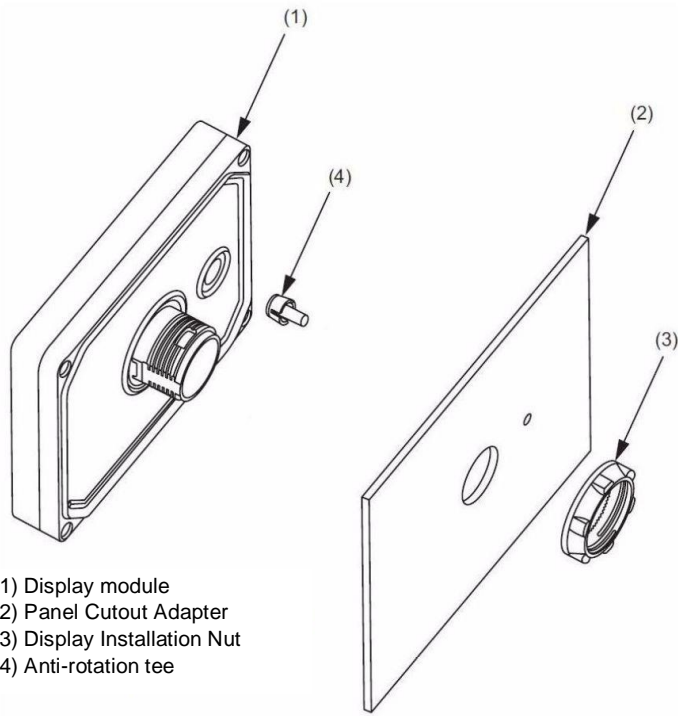


- Tighten the screw of the fastener with a driver. The torque for drip-proof effect is 0.5 to 0.6N·m.



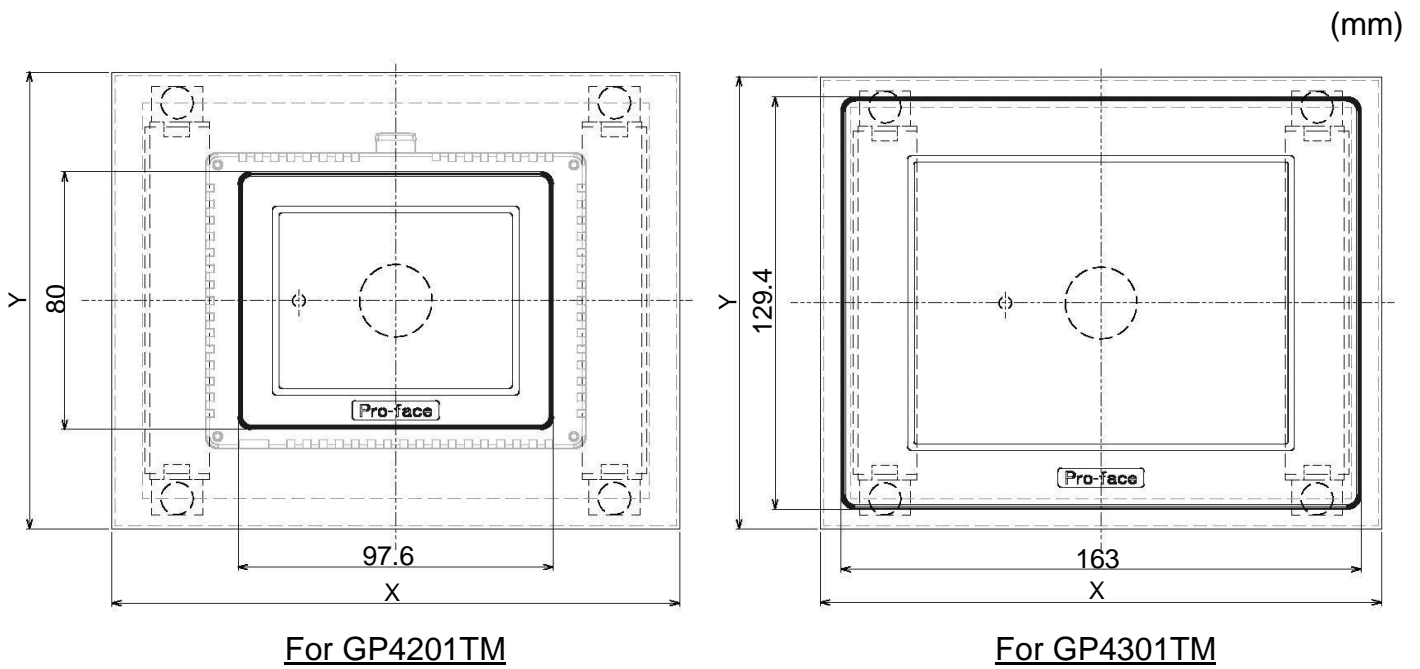
*Tightening the screw too much may cause damage to the product.

■ Attach the display module.



*For details of the installation procedures, the dimensions and the installation requirements of GP4000M Series, refer to the GP4000M Series installation guide or hardware manual.

■ External Form for reference



Panel Cutout Adapter	X	Y
GP270-GP4000M-AT00	176	142
GP377-GP4000M-AT00	213	163

Material: steel plate
 Thickness: 1.6 mm

*The contents of this manual are subject to change without notice.